

HRF-PG HEADEND PILOT GENERATOR



- Generates CW signals for leveling DOCSIS 3.1 networks
- 4 independently switchable carrier
- 2 channels for lower band limit
- 2 channels for upper band limit
- SNMP management

TECHNICAL SPECIFICATIONS

RF generator parameters

Number of independent channels	4
Maximal output level per channel [dB μ V]	115
Output attenuator range [dB]	0...20
Output attenuator step size [dB]	0,5
Output level instability [dB]	<0,5
Channel 1 frequency range [MHz]	862...1218
Channel 2 frequency range [MHz]	85...150
Channel 3 frequency range [MHz]	862...1218
Channel 4 frequency range [MHz]	258...310
Frequency step [kHz]	50
Output impedance [Ω]	75
Output connector	F-type

Communication parameters

SNMP version	v1
Ethernet physical layer	10Base-T
Connector type	RJ-45

General electrical parameters

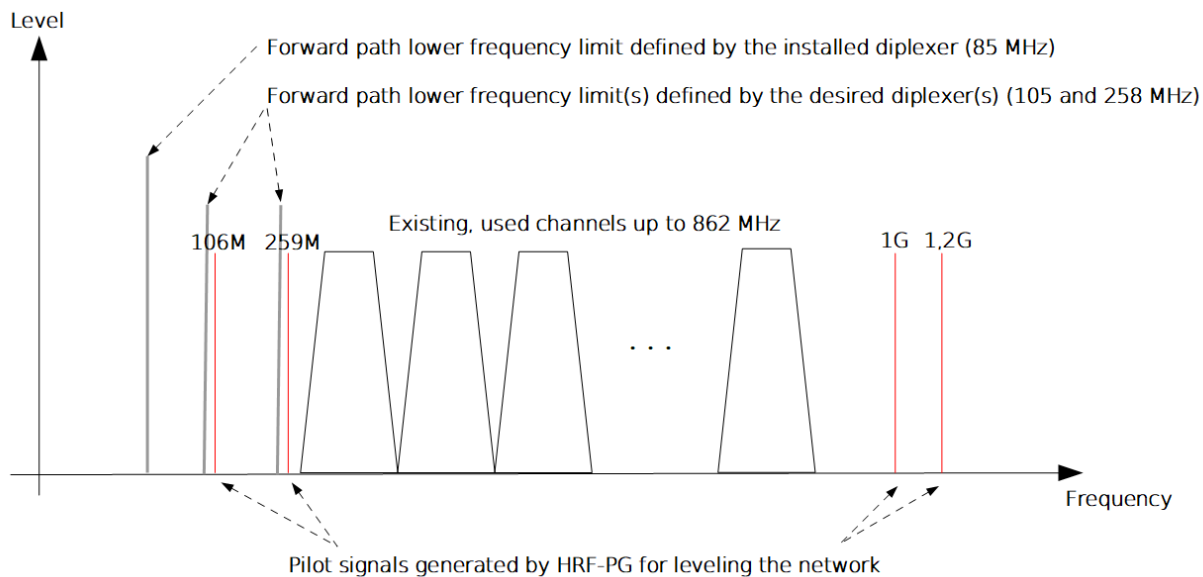
Maximum AC power consumption [W]	10
Power supply voltage [VAC]	\sim 85...264 V; 50Hz
Temperature range [°C]	0...+50

Physical parameters

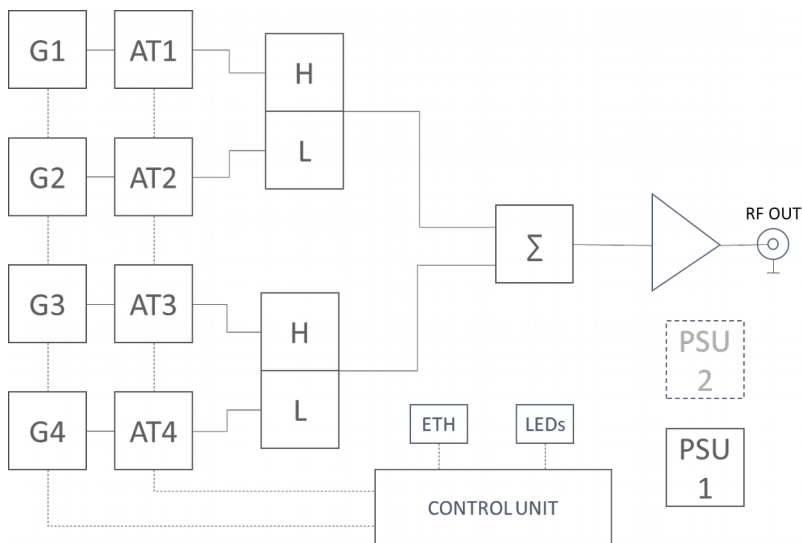
Dimensions (without fixing handles) [mm]	430x451x44
Weight [kg]	6

Specifications are subject to change without notice!

AN EXAMPLE SPECTRUM



BLOCK DIAGRAM



ORDERING INFORMATION

H R F - P G

Options

Redundant power supply

Required modules

1pc HRF-PG-PSA

Specifications are subject to change without notice!