

RSW2-PG RETURN PATH INGRESS SWITCH WITH BUILT-IN PILOT GENERATOR

Modified version of RSW2-A module regarding to a customer request.



- Adds extra function to the monitoring system
- Automatic ingress management
- Helps to keep OPEX low
- Built-in PILOT generator

TECHNICAL SPECIFICATIONS

RF parameters

Frequency range [MHz]	5-65
Insertion loss (On state) [dB]	1.5±0,2
Insertion loss (-6dB state) [dB]	-6
Insertion loss (Off state) [dB]	>60
Return loss (Off state) [dB]	>22
Return loss (On state) [dB]	>20
Feeder loss to NMT module [dB]	20

General parameters

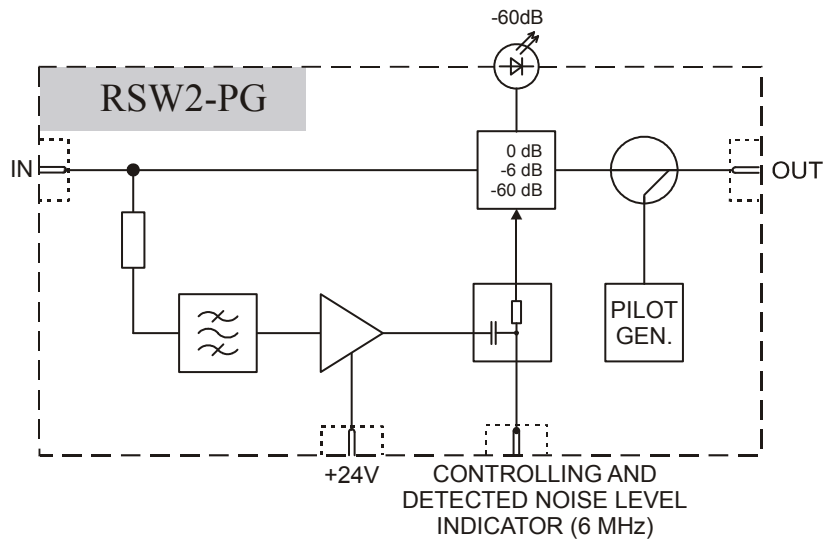
Temperature range [°C]	-40...+60
Power supply voltage [V]	24
Current consumption (Off State) [mA]	26
Current consumption (On State) [mA]	22
Control voltage (switch off) [VDC]	5
Control voltage (switch on) [VDC]	0

PILOT generator parameters

PILOT frequency [MHz]	66.3
PILOT level (3% OMI) [dBμV]	68

Specifications are subject to change without notice!

BLOCK DIAGRAM



ORDERING INFORMATION

R	S	W	2	-	P	G
----------	----------	----------	----------	----------	----------	----------

Specifications are subject to change without notice!