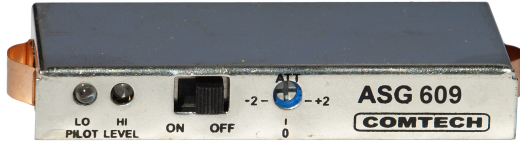


ASG610-C PILOT CONTROL MODULE

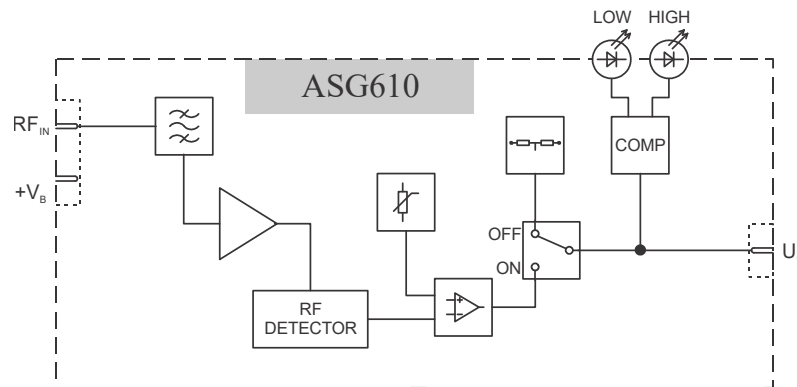


- C38 digital reference channel
- Does not affect the transmission bandwidth

TECHNICAL SPECIFICATIONS

Pilot frequency [MHz]	610.00
Pilot frequency level [dBμV]	adjustable in range of 73-77
Power supply voltage [VDC]	24
Controll voltage [V]	0-20
Temperature range [°C]	-40...+60

BLOCK DIAGRAM



ORDERING INFORMATION

A S G 6 1 0 - C



Compatible amplifiers	
C	MT1000, MB1000, MB1200, LE1000, LE1200, LA1000-A