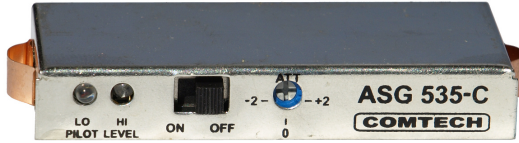


ASG535-C PILOT CONTROL MODULE

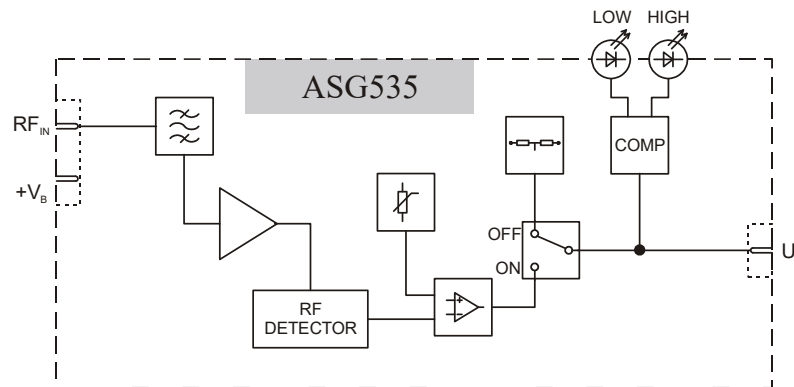


- C29 analog reference channel
- Does not affect the transmission bandwidth

TECHNICAL SPECIFICATIONS

Pilot frequency [MHz]	535.25
Pilot frequency level [dBμV]	adjustable in range of 73-77
Power supply voltage [VDC]	24
Control voltage [V]	0-20
Temperature range [°C]	-40...+60

BLOCK DIAGRAM



ORDERING INFORMATION

A S G 5 3 5 - C



Compatible amplifiers	
C	MT1000, MB1000, MB1200, LE1000, LE1200, LA1000-A

Specifications are subject to change without notice!