

HRF-Dx HEADEND RF FORWARD PATH SIGNAL ORGANIZERS



- Forward path frequency range up to 1.2 GHz
- Powering redundancy
- Optional connection to the monitoring system
- Optimal signal levels without alignment by user
- Honoured with innovation price

GENERAL DESCRIPTION

The HRF-Dx headend RF forward path signal organizer family is designed for feeding optical segments with mixed signals composed on the site. The HRF-D1 type splits the broadcast signal into 8 and it is able to add 8 different narrowcast signal to all the outputs. The HRF-D2 type has also 8 outputs but it works with two different level narrowcast inputs. The level 1 (L1) inputs add 4 different narrowcast channels to all the outputs, while the level 2 (L2) inputs add 4 different narrowcast channels to a dedicated output. This allows to complete the spectrum of one ore more segment with signals originating from the CMTS, SDA, monitoring gateway or a local TV studio. The devices can be powered by the 1U sized HRF-PS type redundant power supply unit.

TECHNICAL SPECIFICATIONS

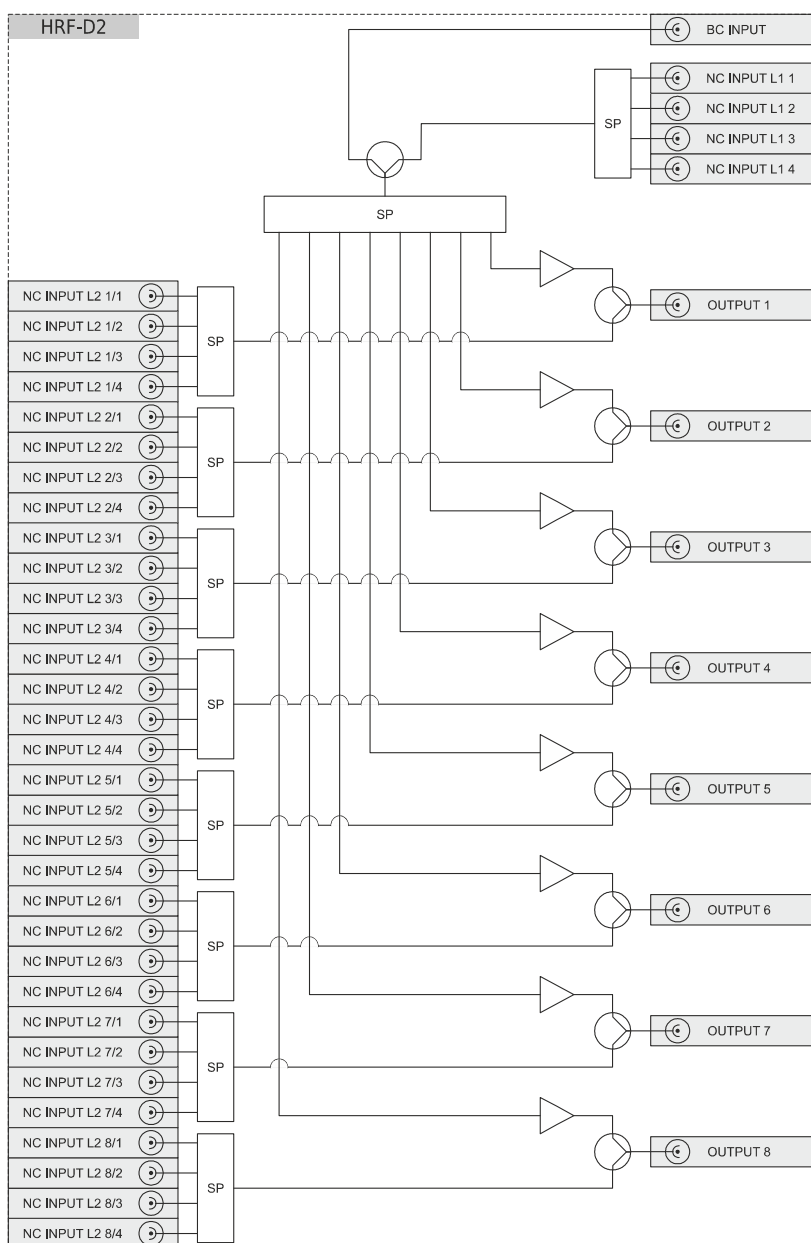
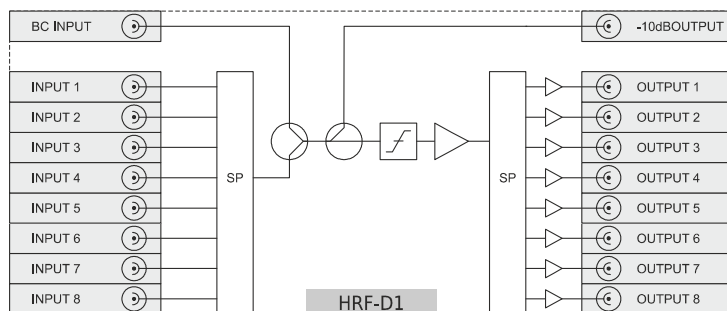
Device type	HRF-D1	HRF-D2	HRF-D2S
Number of broadcast input	1	1	1
Number of level 1 narrowcast inputs	8	4	4
Number of level 2 narrowcast inputs	0	8 x 4	8 x 4
Number of outputs	8	8	2 x 8
Frequency range [MHz]	47-1200	47-1200	47-1200
Nominal output level [dBμV]	95 ⁽¹⁾	80 ⁽¹⁾	2x80 ⁽¹⁾
Broadcast input level [dBμV]	95 ⁽¹⁾	95 ⁽¹⁾	95 ⁽¹⁾
Narrowcast input level [dBμV]	106 ⁽¹⁾	106 ⁽¹⁾	106 ⁽¹⁾
Flatness [dB]	±0.75	±0.75	±0.75
Isolation [dB]	>60	>60	≥60
Return loss [dB]	>16	>16	>16
CTB [dBc]	-75 ⁽²⁾	-75 ⁽²⁾	-75 ⁽²⁾
CSO [dBc]	-75 ⁽²⁾	-75 ⁽²⁾	-75 ⁽²⁾
Connecting impedance [Ω]	75	75	75 ⁽²⁾
Screening factor [dB]	80	80	80
Temperature range [°C]	0...+40	0...+40	0...+40
Operation voltage [VDC]	12	12	12
Power consumption [W]	16	10	10

(1) Analog carrier level

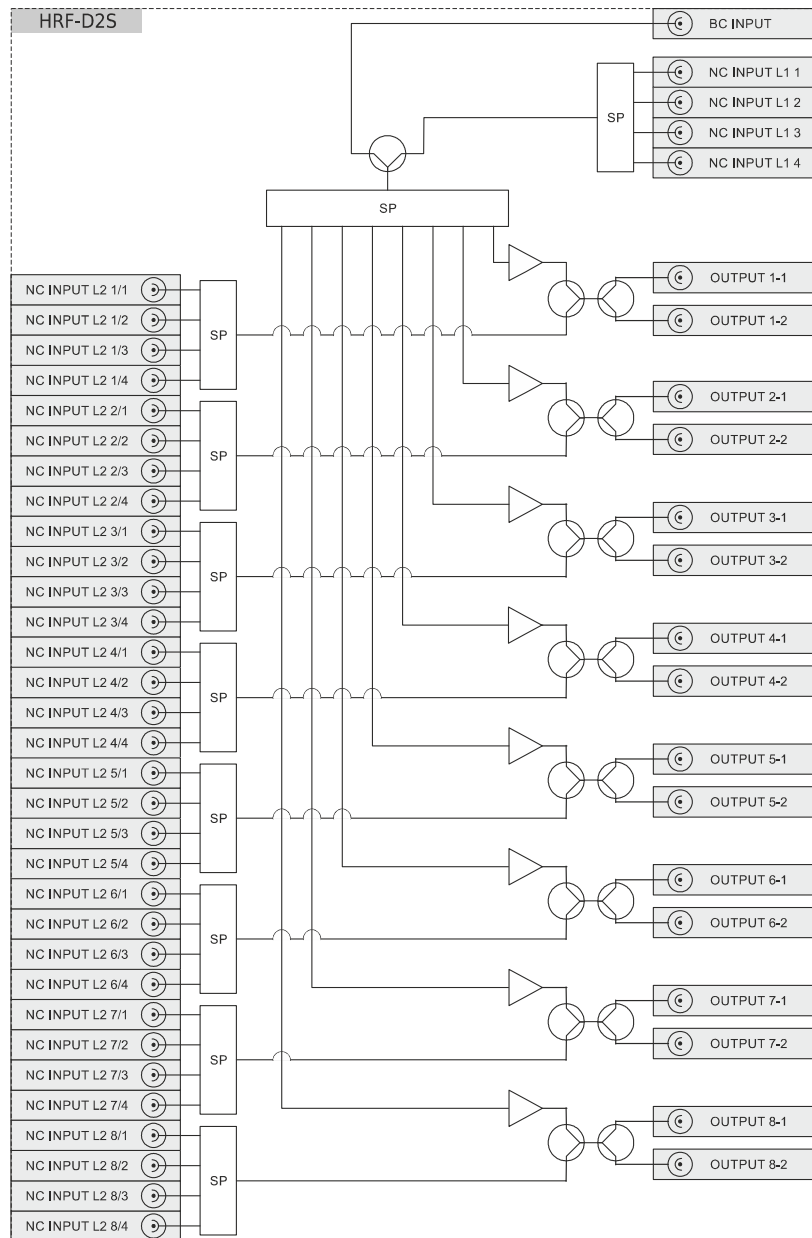
(2) 79 analog channel with nominal output level

Specifications are subject to change without notice!

BLOCK DIAGRAM



Specifications are subject to change without notice!



ORDERING INFORMATION

H R F - D X



Construction	
1	8 narrowcast input (1 level)
2	8x4 + 4 narrowcast input (2 levels)
2S	8x4 + 4 Narrowcast input (2 levels), 2 x 8 output

Specifications are subject to change without notice!