

HMTS NETWORK MONITORING GATEWAY FOR ComMon SPECIAL PROTOCOL



- Key element of ComMon monitoring solutions
- Management of return path ingress control switches
- Return path spectrum analysis
- Automatic setting of transponders' upstream level
- Automatic device replacement function
- Helps to keep OPEX low

GENERAL DESCRIPTION

The HMTS network monitoring gateway is able to manage a segment of up to 512 transponders by using special COMTECH physical layer protocol. This provides also fully automatic system launch above the extreme robust communication. The device is able to realize return path spectrum analysis on the return path frequency range.

TECHNICAL SPECIFICATIONS

RF parameters

Transmitter output level range [dBμV]	90-115
Receiver input level range [dBμV]	40-80
Output level accuracy [dB]	±2
Transmitter frequency [MHz]	85-88, 106-114 or 258-260
Receiver frequency [MHz]	5-60
Transmitter and receiver frequency raster [kHz]	100
Transmitter and receiver frequency accuracy [kHz]	10
Isolation [dB]	-60
Output impedance [Ω]	75
Modulation	FSK ±50kHz

Communication parameters

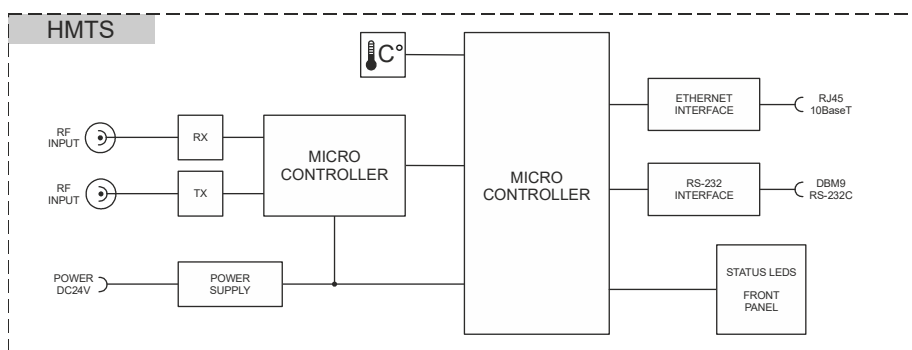
Physical layer protocols	RS-232C, DBM9, CCIT V.24 DCE 10Base-T, RJ-45
Data link layer protocols	IEE-803.2 (Ethernet)
Network layer protocols	IETF RFC 891 (IPv4 - Internet Protocol v4) IETF RFC 826 (ARP - Address Result Protocol) IETF RFC 903 (RARP - Reverse Address Result Protocol) IETF RFC 792 (ICMP - Internet Control Message Protocol) 'Echo' and az 'Echo reply' messages
Transport layer protocols	IETF RFC 768 (User Datagram Protocol)
Application layer protocols	RFC 2131 (DHCP - Dynamic Host Configuration Protocol)

Specifications are subject to change without notice!

General parameters

Baud rate RF	38400
Baud rate RS-232	115200
Power supply voltage [VDC]	16-30
Interfaces	RS-232, 10BaseT
Temperature range [°C]	0...+50
Dimensions [mm]	112x230x30

BLOCK DIAGRAM



ORDERING INFORMATION

H M T S - X X X - X

Communication standard	
C	Comtech (Default)

Transmitter frequency range	
85	85-88MHz
108	106-114MHz
260	258-265MHz

Specifications are subject to change without notice!