

**MB1200 MODULAR AMPLIFIER WITH SWITCHABLE LINE/BRIDGER OPERATION MODE**



- Downstream frequency range up to 1.2 GHz
- Upstream frequency range up to 200 MHz
- Optional connection to Monitoring System
- GaN output stage
- Automatic gain and slope control
- Automatic ingress management by the RSW module

**GENERAL DESCRIPTION**

The MB1200 can work either as a line amplifier or as a bridger amplifier - the mode can be set by using jumpers. The 4<sup>th</sup> RF port can be configured as an input bypass port or a 3<sup>rd</sup> output

**TECHNICAL SPECIFICATIONS**

**RF parameters**

**MB12xxD-xx**

Amplifier-module	GaN PD hybrid
Number of active outputs	2 bridgers
Forward path bandwidth [MHz]	85-1218 or 105-1218 or 258-1218
Return path bandwidth [MHz]	5-65 or 5-85 or 5-204
Diplex filter type [MHz]	65/85, 85/105, 204/258 <sup>(1)</sup>
Forward path gain [dB]	35 or 40 or 46 <sup>(1)</sup>
Flatness [dB]	±0.75
CTB [dB]	-76 <sup>(3)</sup>
XMOD [dB]	-73 <sup>(3)</sup>
CSO [dB]	-78 <sup>(3)</sup>
CIN [dB]	58 <sup>(3)</sup>
Manual level setup (2dB steps) [dB]	Plug-in 0-20
Manual TILT setup (2dB steps) [dB]	Plug-in 0-22
Breakpoint frequency of TILT [MHz]	302, 606, 750, 862, 1000, 1218
ASG insertion loss (20°C) [dB]	6.5
ASG control range [dB]	±4
ASG flatness [dB]	±0.5
Noise figure [dB]	7
Testpoints' attenuation (inputs, outputs) [dB]	-30±1,5
Return loss (at 40MHz -1.5dB/octave) [dB]	18
Return path gain [dB]	20, 25

*Specifications are subject to change without notice!*

CTB in return path [dB]	-70 <sup>(2)</sup>
CSO in return path [dB]	-71 <sup>(2)</sup>
Return path TILT (plug-in) [dB]	2, 4, 6, 8, 10
Breakpoint frequency of TILT [MHz]	65, 85, 204
Connecting impedance [Ω]	75
Bridger output splitter, directional coupler [dB]	Plug-in 4, 8, 12, 16
Screening factor [dB]	80

**General parameters**

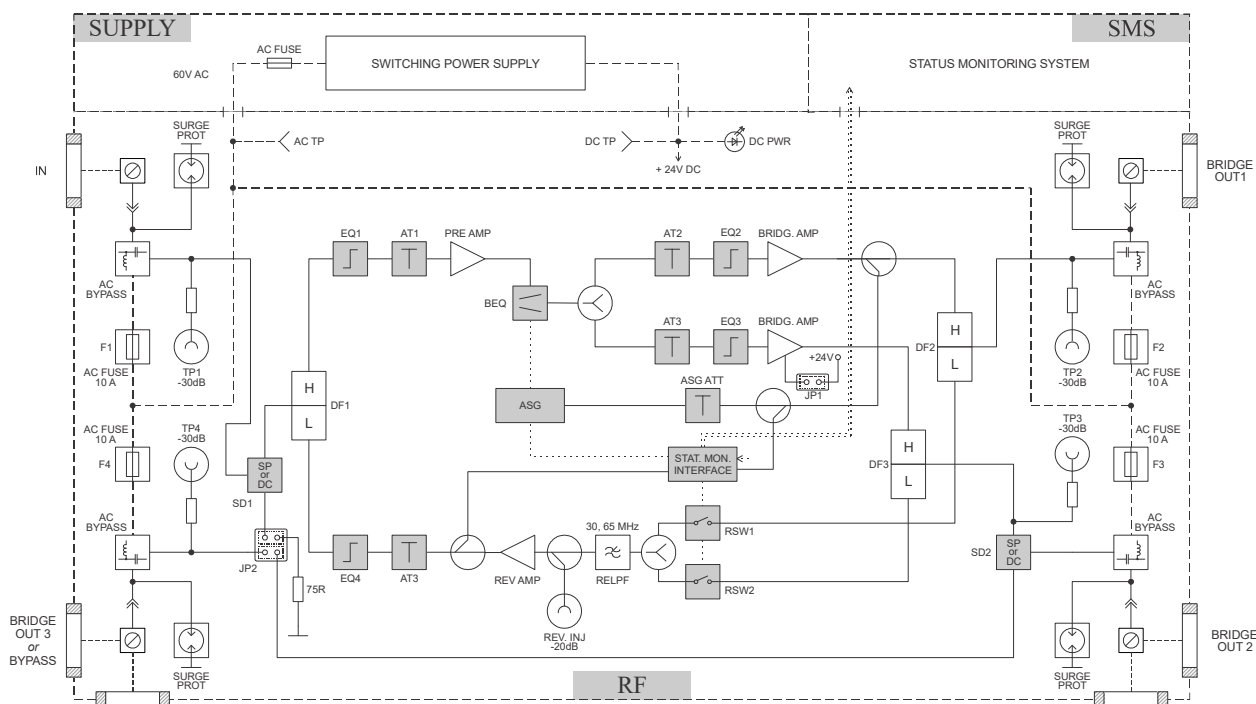
Maximum power consumption in bridger mode (in full configuration) [W]	38 (42)
Power supply voltage [VAC]	~ 30-65; □ 35-90
Class of electric shock protection	III.
Maximum current feed-through [A]	10
Hum modulation [dB]	70
Degree of protection	IP 65
Temperature range [°C]	-40...+60
Connector type	5/8"
Dimensions [mm]	275x172x122
Weight [kg]	4.1

(1) The value of gain and the diplex filters can be found in the typechart

(2) Measured with 7 channels load in case of 110dBμV output level

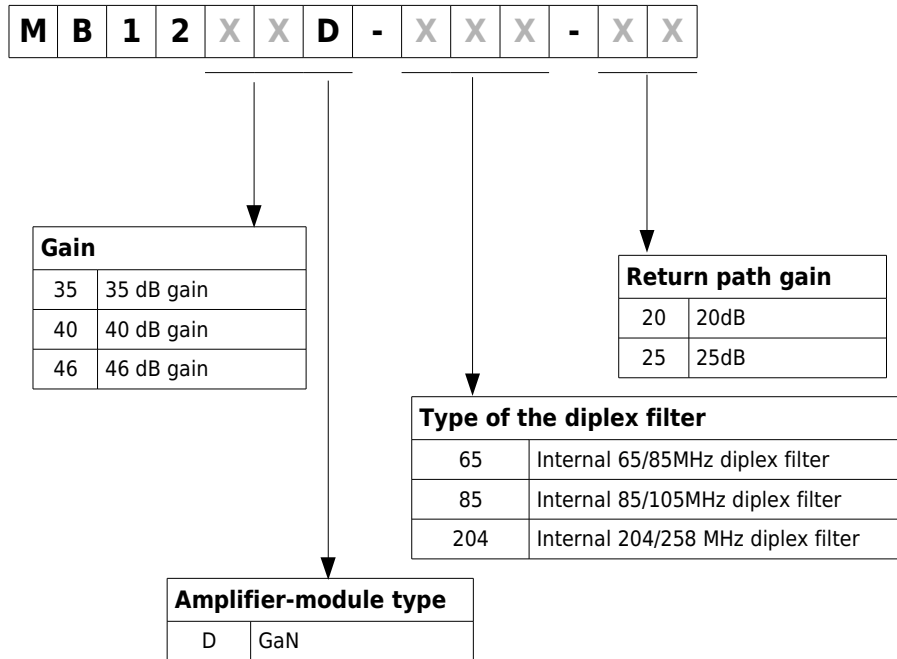
(3) Between 40 and 550 MHz, Vout: 62 dBmV @ 1218MHz; 22 dB extrapolated tilt, 79 analog + 111 digital channels with -6 dB offset

**BLOCK DIAGRAM**



Specifications are subject to change without notice!

ORDERING INFORMATION



**Options**

- ASG option
- Monitoring option
- Wall mount kit

**Required modules**

- 1pc ASG535-C, 1pc BEQxxx-A, 1pc ATxx
- 1pc NMT-F, 2pcs RSW2-A or 2pcs RSW2-H20
- 1pc WMK-1 (double)

*Specifications are subject to change without notice!*