

**MB1000 MODULAR BRIDGER AMPLIFIER**



- Downstream frequency range up to 1 GHz
- Upstream frequency range up to 200 MHz
- Optional connection to Monitoring System
- Optional GaN output stage
- Automatic gain and slope control
- Automatic ingress management by the RSW module

TECHNICAL SPECIFICATIONS

**RF parameters**

Amplifier-module

Number of active outputs

Forward path bandwidth [MHz]

Return path bandwidth [MHz]

Diplex filter type [MHz]

Forward path gain [dB]

Flatness [dB]

CTB [dB]

XMOD [dB]

CSO [dB]

CIN [dB]

Manual level setup (2dB steps) [dB]

Manual TILT setup (2dB steps) [dB]

Breakpoint frequency of TILT [MHz]

ASG insertion loss (20°C) [dB]

ASG control range [dB]

ASG flatness [dB]

Noise figure [dB]

Testpoints' attenuation (inputs, outputs) [dB]

Return loss (40MHz -1.5dB/octave) [dB]

Return path gain [dB]

CTB in return path [dB]

CSO in return path [dB]

Return path TILT (plug-in) [dB]

Breakpoint frequency of TILT [MHz]

Connecting impedance [Ω]

**MB10xxC-xx**

GaAs PD hybrid

**MB10xxD-xx**

GaN PD hybrid

2 bridgers

47-1000, 85-1000, 105-1000 or 258-1000

5-30, 5-65, 5-85 or 5-204

30/47, 65/85, 85/105, 204/258 <sup>(1)</sup>

38, 42, 48 <sup>(1)</sup>

±0.5

-62 <sup>(3)</sup>

-68 <sup>(4)</sup>

-59 <sup>(3)</sup>

-64 <sup>(4)</sup>

-64 <sup>(3)</sup>

-70 <sup>(4)</sup>

-

61 <sup>(4)</sup>

Plug-in 0-20

Plug-in 0-22

302, 606, 750, 862, 1000

6.5

±4

±0.5

7

-30±1

18

20, 25

-66 <sup>(2)</sup>

-70 <sup>(2)</sup>

2, 4, 6, 8, 10

30, 65, 85

75

*Specifications are subject to change without notice!*

Bridger output splitter, directional coupler [dB]  
Screening factor [dB]

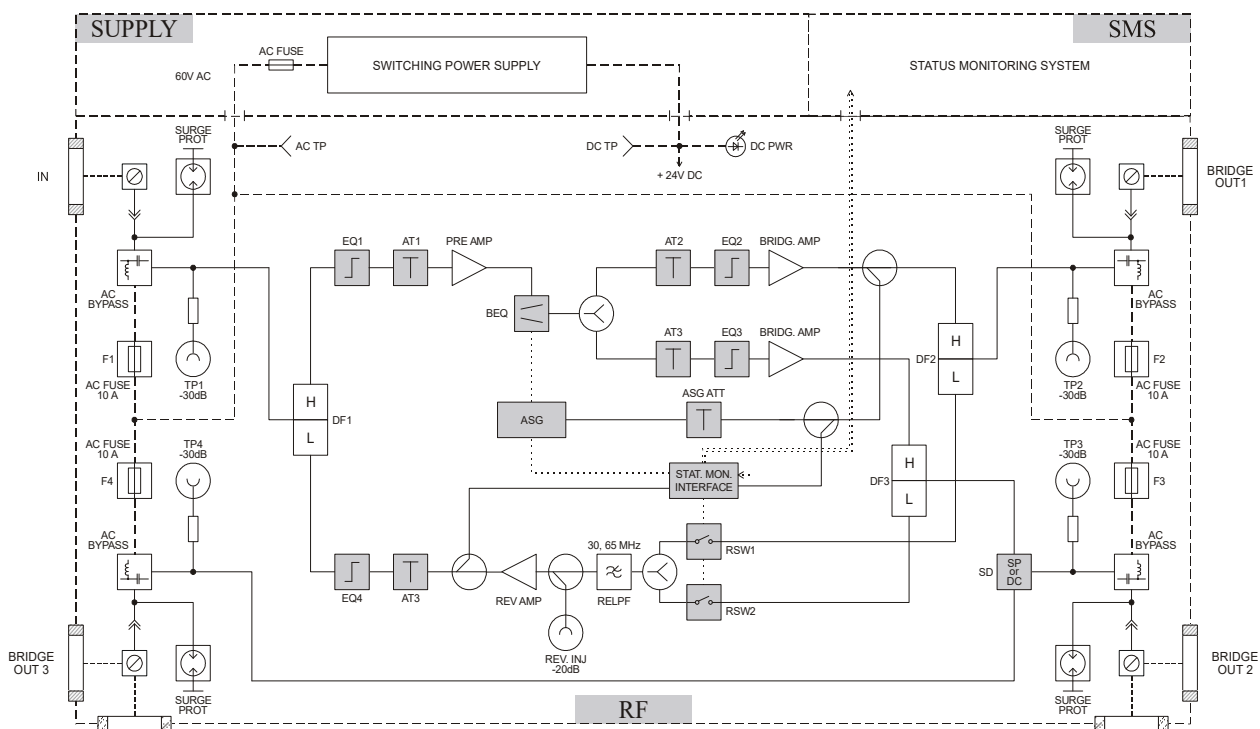
Plug-in 4, 8, 12, 16  
80

**General parameters**

Maximum power consumption [W]	38
Power supply voltage [VAC]	~ 30-65; n 35-90
Class of electric shock protection	III.
Maximum current feed-through [A]	10
Hum modulation [dB]	70
Degree of protection	IP 65
Temperature range [°C]	-40...+60
Connector type	5/8"
Dimensions [mm]	275x172x122
Weight [kg]	4.1

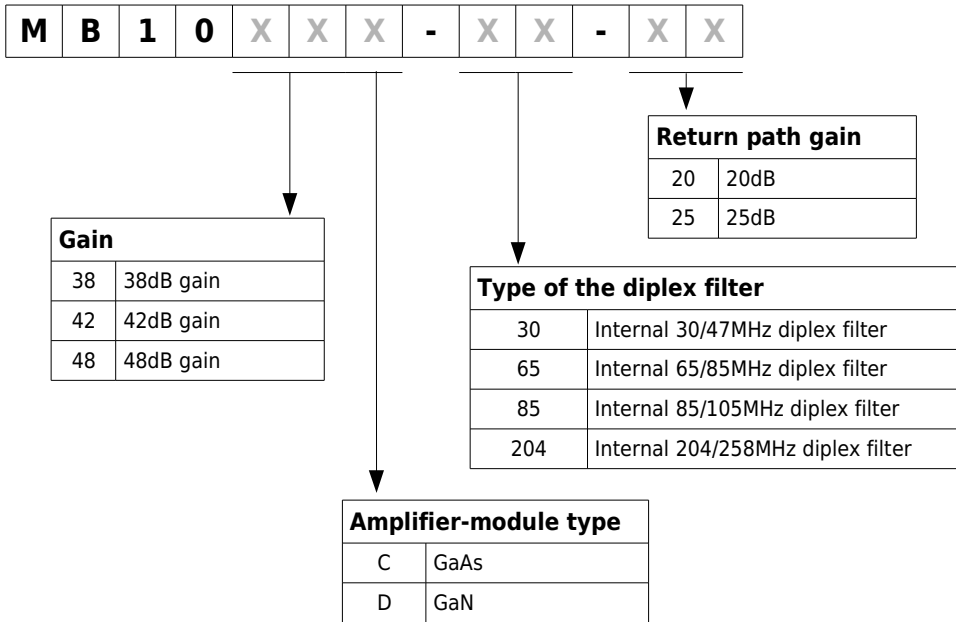
- (1) The value of gain and the diplex filters can be found in the typechart
- (2) Measured with 7 channels load in case of 110dB $\mu$ V output level
- (3) 132 ch.flat, Vout:44dBmV
- (4) 79 ch. 7dB tilted, Vout:50dBmV @ 550MHz, 75digital ch. -6dB offset

**BLOCK DIAGRAM**



Specifications are subject to change without notice!

ORDERING INFORMATION



**Options**

- ASG option
- Monitoring option
- Wall mount kit

**Required modules**

- 1pc ASG535-C, 1pc BEQxxx-A, 1pc ATxx
- 1pc NMT-F, 2pcs RSW2-A or 2pcs RSW2-H20
- 1pc WMK-1 (double)

*Specifications are subject to change without notice!*