

SLE-ADU-535 PILOT CONTROL MODULE FOR MOTOROLA SLE SERIES

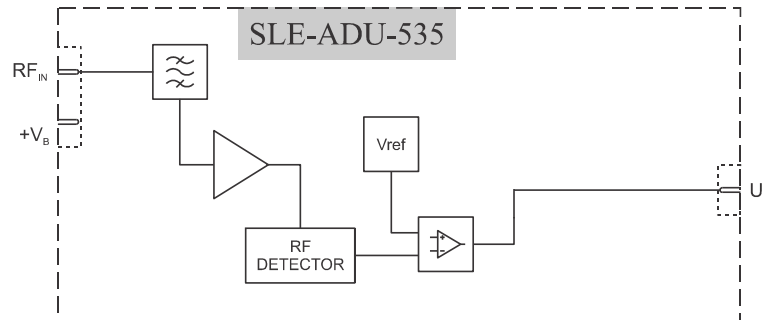


- Compatible with Motorola SLE amplifiers
- Regulation on TV channel's picture-carrier
- Plug-in construction
- Accurate regulation
- Temperature-compensated construction

TECHNICAL SPECIFICATIONS

Pilot frequency [MHz]	535.25
Pilot frequency level [dBμV]	84
Power supply voltage [VDC]	24
Control voltage [V]	0-24
Temperature range [°C]	-40...+60

BLOCK DIAGRAM



ORDERING INFORMATION

S L E - A D U - 5 3 5

Specifications are subject to change without notice!