

HRF-ORx PASSIVE RETURN PATH SIGNAL ORGANIZERS OPTIMIZED FOR OPTICAL SEGMENTS

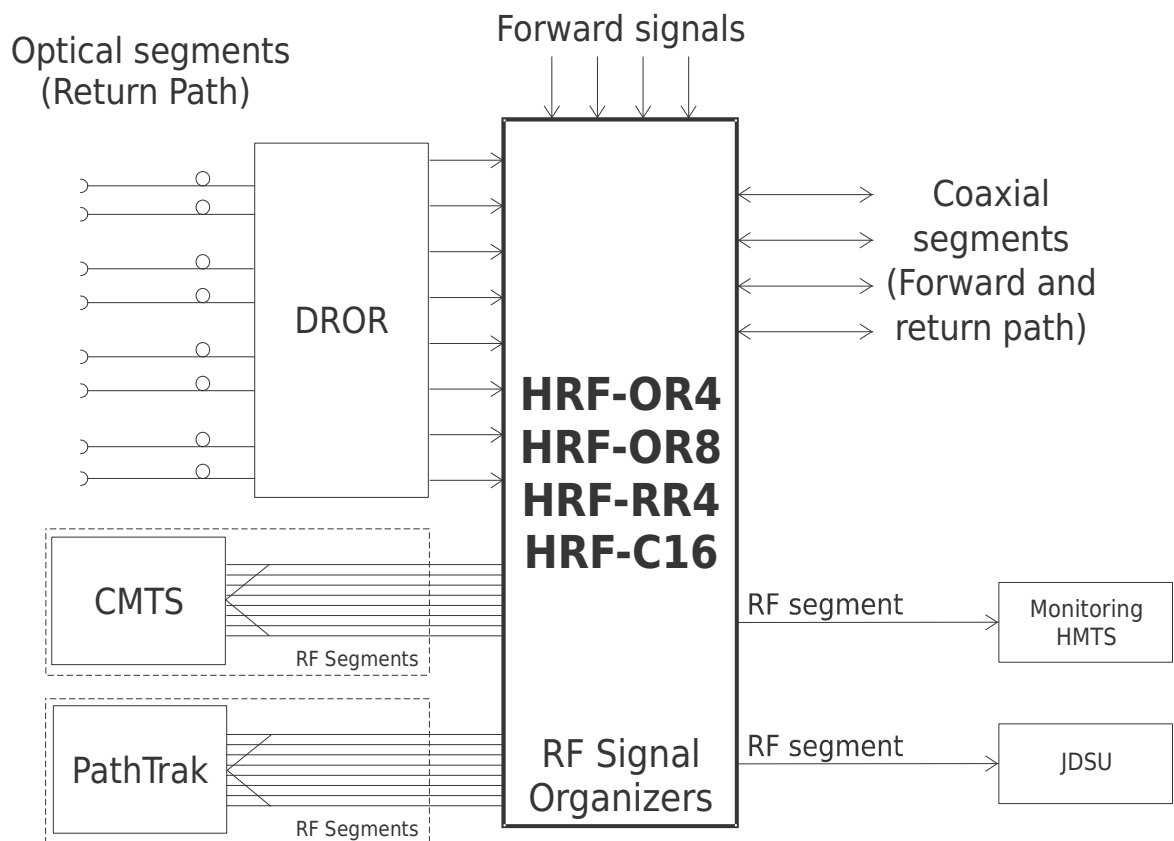


- Organizing the signals in the return path
- Passive splitters and directional couplers
- 1U high rack construction
- High isolation between the segments

GENERAL DESCRIPTION

New RF organizer has been created from default HRFM modules and active elements (and other special circuits). It can solve the splitting and combining tasks on the headend.

HRF-ORx devices are able to split or combine 4 or 8 RF signals of optical segments. You can see a possible application on the following figure (other applications can be found in User Guide):

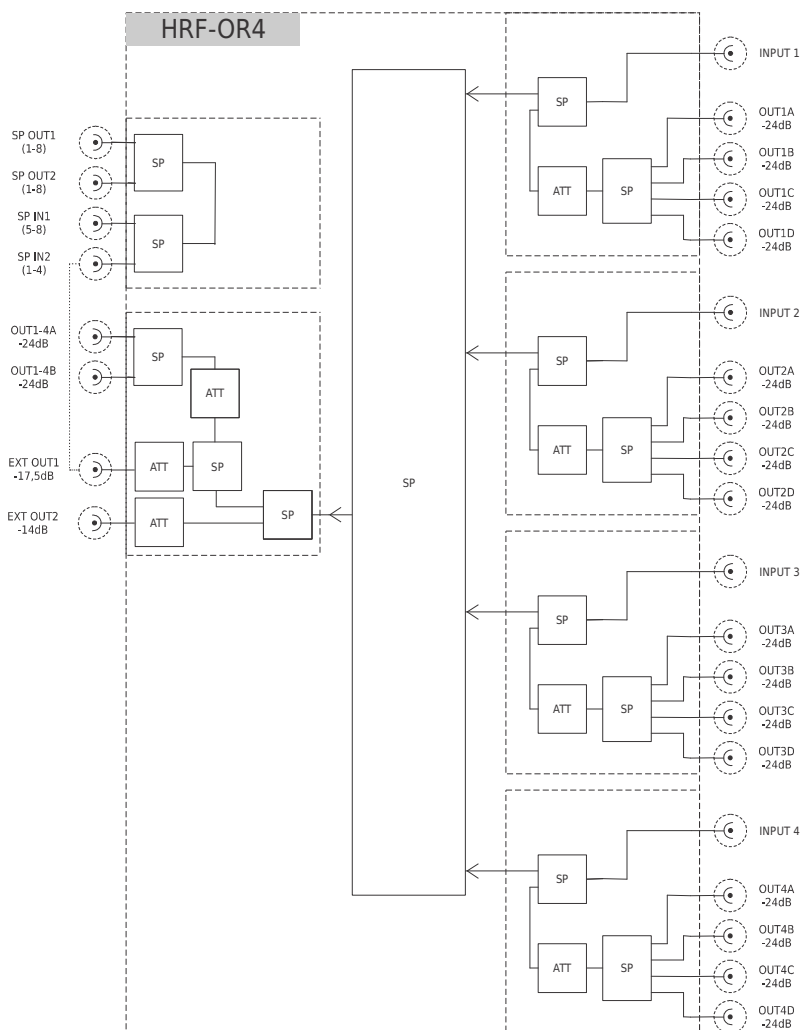


Specifications are subject to change without notice!

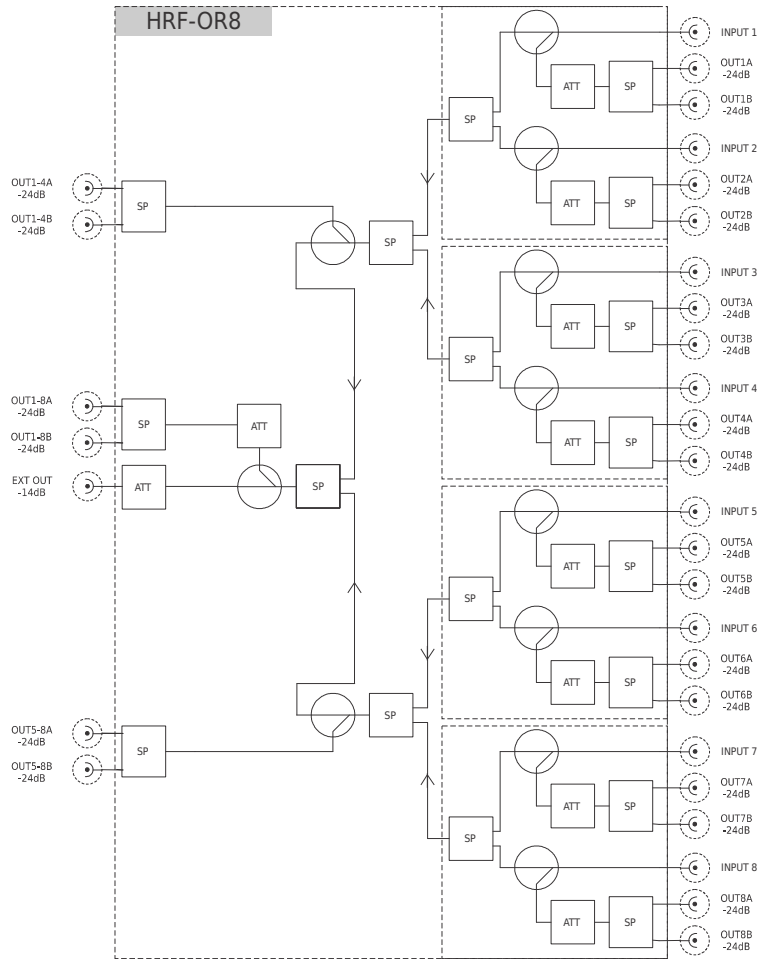
TECHNICAL SPECIFICATIONS

Device type	HRF-OR4	HRF-OR8
Number of the connectable segments	4	8
Operating frequency range [MHz]	5-200	
Flatness [dB]	±0.75	
Isolation [dB]	>65 (5-85MHz)	
Return loss [dB]	>18	
Connecting impedance [Ω]	75	
Screening factor [dB]	80	
Temperature range [$^{\circ}\text{C}$]	0...+40	

BLOCK DIAGRAM



Specifications are subject to change without notice!



ORDERING INFORMATION

H R F - O R X

RF signal organizer



RF segments	
4	Number of the connectable segments 4
8	Number of the connectable segments 8

Specifications are subject to change without notice!