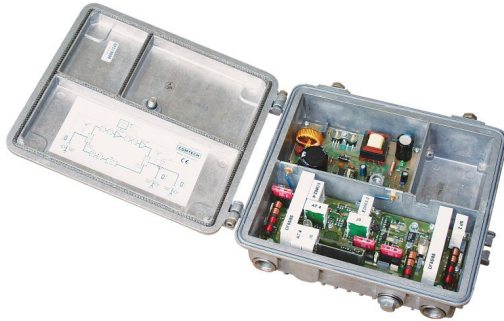


LA834R-H COMPACT LINE AMPLIFIER



- Aluminium die-casting case
- GaAs power-doubler output stage
- 862MHz frequency range
- Two outputs
- Return path module option (plug-in)
- Remote powered switching power supply
- Level and TILT setup with modules
- Plug-in duplex filter
- Status monitoring option

TECHNICAL SPECIFICATIONS

RF parameters

| | |
|---|----------------------|
| Amplifier type | GaAs-PD MMIC |
| Forward path gain [dB] | 34±1 |
| Forward path bandwidth [MHz] | 47-862 or 85-862 |
| Return path bandwidth [MHz] | 5-30 or 5-65 |
| Diplex filter type [MHz] | Plug-in 30/47, 65/85 |
| Flatness [dB] | ±0.75 |
| Maximum output level [dBμV] | 109 ⁽¹⁾ |
| CTB (77 ch. 104dBμV flat) [dB] | -69 |
| CXM (77 ch. 104dBμV flat) [dB] | -70 |
| CSO (77 ch. 104dBμV flat) [dB] | -68 |
| Manual level setup (2dB steps) [dB] | Plug-in 0-20 |
| Manual TILT setup (2dB steps) [dB] | Plug-in 0-20 |
| Breakpoint TILT frequency (variable) [MHz] | 302, 606, 750, 862 |
| Noise figure [dB] | 5 |
| Testpoints (input, outputs) [dB] | -30±1 |
| Return loss (40MHz -1.5dB/octave) [dB] | 18 |
| Return path gain [dB] | 20 |
| Return path maximum output level (IMA III. B-60dB) [dBmV] | 118 |
| Return path level setup [dB] | 0-18 |
| Return path TILT setup [dB] | 0-12 |
| Return path TILT breakpoint frequency [MHz] | 30, 65 |
| Connecting impedance [Ω] | 75 |
| Screening factor [dB] | 80 |
| Output splitter, directional coupler [dB] | 4, 8, 12, 16 |

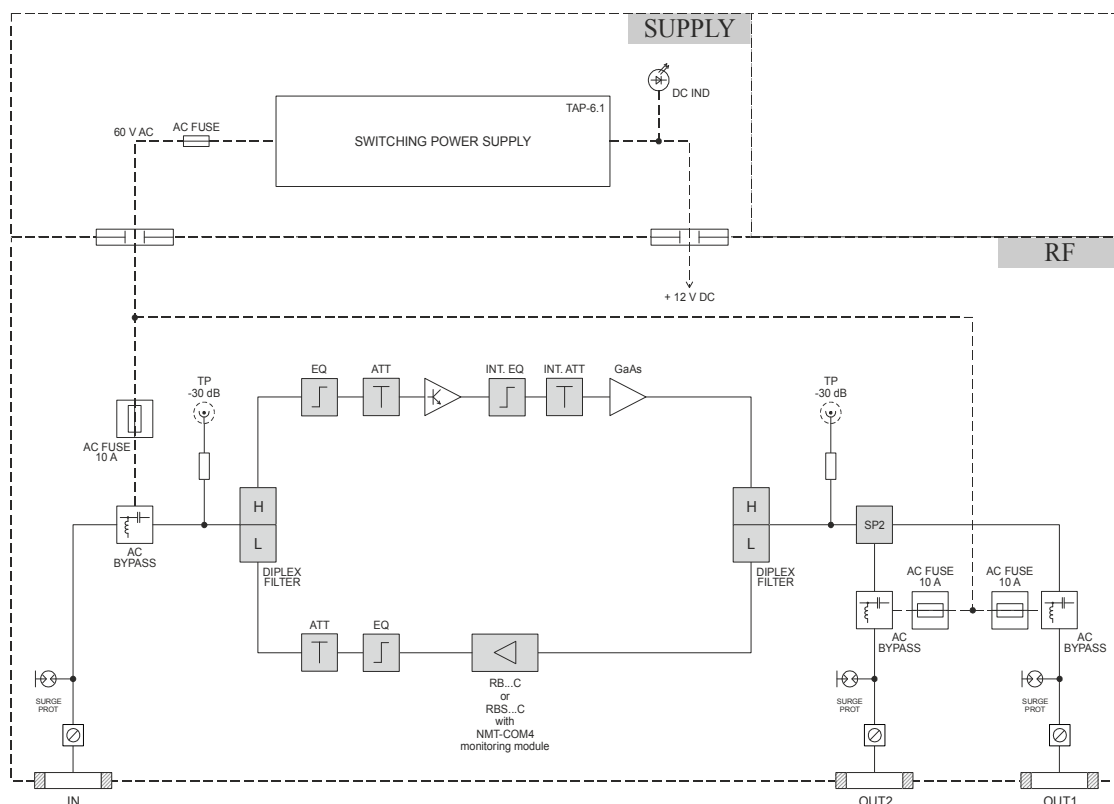
Specifications are subject to change without notice!

General parameters

| | |
|------------------------------------|---|
| Maximum power consumption [W] | 10.2 (passive), 12 (active) return path |
| Power supply voltage [VAC] | ~ 30...65 , □ 35...90 |
| Class of electric shock protection | III. |
| Hum modulation [dB] | 70 |
| Degree of protection | IP65 |
| Temperature range [°C] | -40...+60 |
| Connector type | 5/8" |
| Dimensions [mm] | 212x191x80 |
| Weight [kg] | 2.2 |

(1) 42 ch. 8dB TILT; CTB, CSO≤-60dB

BLOCK DIAGRAM



ORDERING INFORMATION

L A 8 3 4 R - H

Options

- Return path option
- Monitoring option

Required modules

- 1pc RB622Q-C
- 1pc NMT-COM4, 1pc RBS622Q-C

Specifications are subject to change without notice!