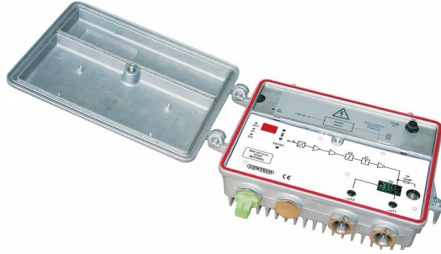


MDO800 SUPER COMPACT FORWARD PATH OPTICAL RECEIVER



- Low noise optical receiver
- 2 RF outputs
- 862MHz GaAs MMIC amplifier
- Electronic attenuator and TILT
- Local powering

GENERAL DESCRIPTION

The MDO800 mini optical node contains 1 forward path optical receiver without return path. Device is available with 230V power supply. The OLC (Optical Level Control) circuit provides the right RF level. Settings of device (AT, EQ) can be modified electronically. Device's configuration can be defined with ordering information what you can find at the end of product guide.

TECHNICAL SPECIFICATIONS

Optical receiver parameters

Bandwidth [MHz]	47...862
Wavelength [nm]	1290...1570
Optical input level range [dBm]	-7...+2
Nominal optical input level [dBm]	0
Optical input return loss [dB]	>45
Equivalent input noise [pA/√Hz]	6
Level control	OLC
Output level accuracy [dB]	±1
Flatness [dB]	±0.7
Optical connector type	SC/APC, FC/APC, EURO2000

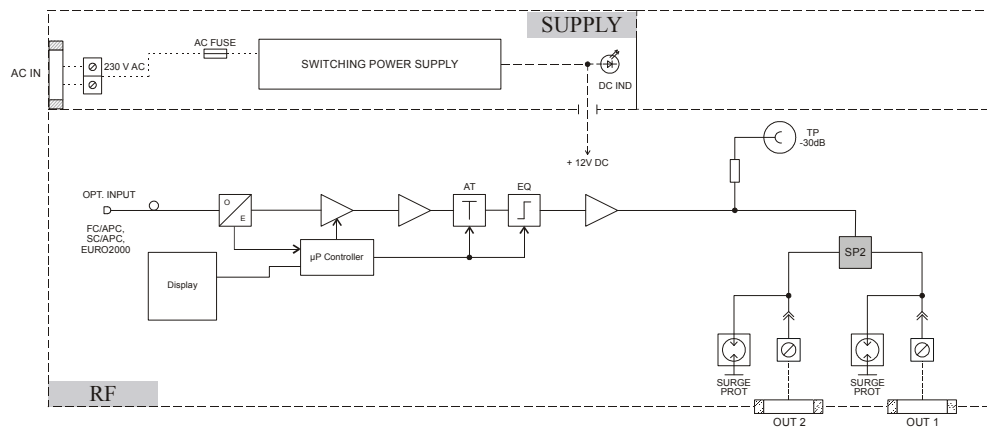
RF parameters

Max. adjustable output level (OMI=4%, ATT=0, EQ=0) [dBμV]	115
Max. output level (EN60728, 42 ch, 8dB SLOPE, CTB, CSO ≤-60dBc) [dBμV]	112
Output testpoint attenuation [dB]	30±1
Flatness [dB]	±0.7
Output amplifier-module type	GaAs MMIC
Number of active outputs	1 (splittable)
Output return loss (40MHz -1.5dB/octave) [dB]	>18
Output impedance [Ω]	75
Attenuator in forward path (step: 0.5dB) [dB]	0-15
TILT in forward path (step: 0.5dB) [dB]	0-15

Specifications are subject to change without notice!

Breakpoint frequency of TILT [MHz]	862
General parameters	
Screening factor [dB]	80
Maximum power consumption [W]	10
Power supply voltage [VAC]	~ 230
Degree of protection	IP 43
Temperature range [°C]	-20...+50
RF connector type	PG11 (5/8", F)
Dimensions [mm]	202x146x80
Weight [kg]	1.6

BLOCK DIAGRAM



ORDERING INFORMATION

M D O 8 0 0 - X X

Type of the optical connector	
SA	SC/APC (Recommended type)
FA	FC/APC
EU	EURO2000

Option	Required modules	Ordering codes
Coax connection option	PG11-5/8" adaptor	PG11-5/8
Coax connection option	PG11-F adaptor	PG11-F

Specifications are subject to change without notice!