

HRFM-Dxx DAB+ BAND ACTIVE SPLITTER WITH WIRED LOGIC REDUNDANCY

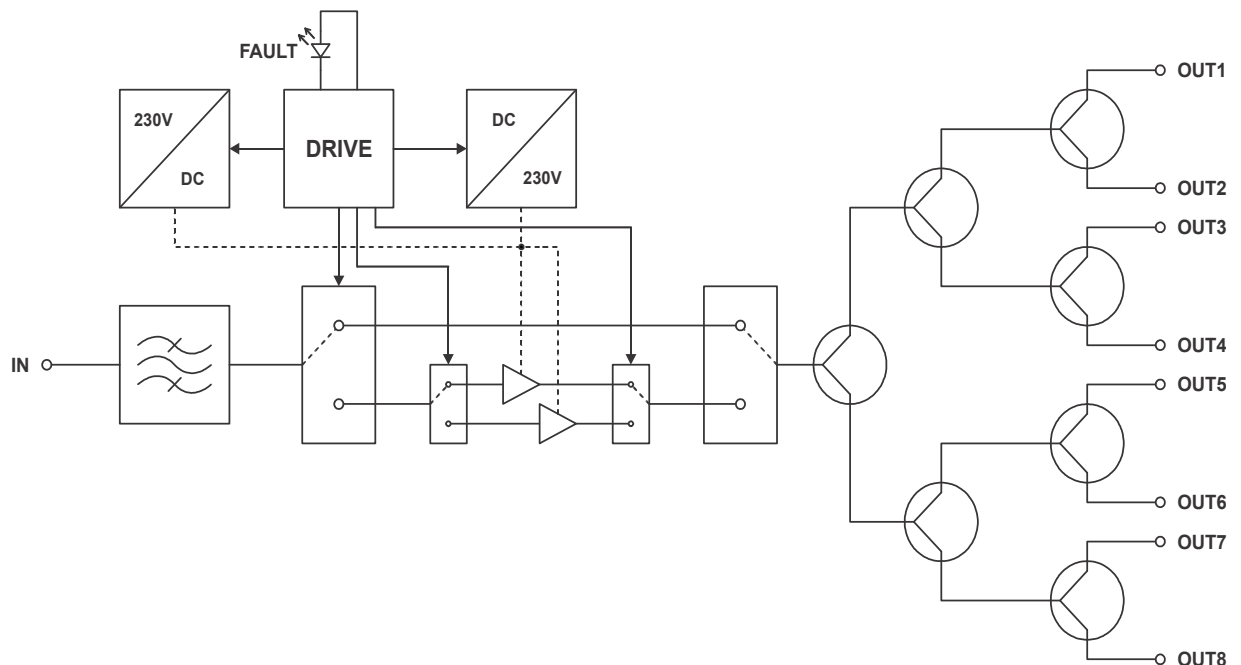


- Two switching power supplies and two amplifier stages for redundant work
- Bandpass filter for the DAB+ broadcast band
- Passive bypass branch for case of power-cut
- 75Ω input impedance
- 75Ω output impedance
- 0dB attenuation
- 19" 1U size

GENERAL DESCRIPTION

Signals originating from a DAB+ band aerial reach a filter-amplifier combination. After this stage an 8-way splitter takes place. The instrument contains 1 pc or 2 pcs of 8-way splitters. For the best stability two switching power supplies are used, if one of them falls out a warning LED illuminates. If both of the power supplies are switched off a passive bypass way is switched on automatically. If one of the two amplifiers falls out the powering current of this stage will be switched off while the communication will be carried by the other stage.

CONSTRUCTION (1 CHANNEL, 1:8 TYPE)



Specifications are subject to change without notice!

TECHNICAL DATA

Type	HRFM-D18	HRFM-D28
Number of input ports [pcs]	1	2
Number of output ports [pcs]	1 x 8	2 x 8
Frequency range [MHz]	175...239	
Maximal input level [dBμV]	100	
Gain [dB]	0	
Return loss [dB]	>16	
Flatness [dB]	±0.5	
Separation between RF input ports [dB]	40	
Separation between RF output ports [dB]	30	
Spectral noise density in 1MHz [dBm]	-94	
Intermodulation distance 2 signals, max. level [dB]	80	
Input impedance [Ω]	75	
Input connector	F-Connector	
Output impedance [Ω]	75	
Output connector	F-Connector	
Power supply voltage [VAC]	~ 230, 50Hz	
Power consumption [W]	<3	<5
Temperature range [°C]	0...+40	

ORDERING INFORMATION

H R F M - D X X



Configuration	
18	1 input-, 1 x 8 output ports
28	2 input-, 2 x 8 output ports

Specifications are subject to change without notice!