

## QROR QUAD RETURN PATH OPTICAL RECEIVER



- Wavelength 1280...1620nm
- 4 optical receivers
- Frequency range 5-200MHz
- Connection to the Monitoring System
- Redundant operation possibility
- AGC control for constant output level (OLC)
- SC/APC, FC/APC or EURO2000 connection interface
- SNMP compatible

### TECHNICAL SPECIFICATIONS

| Optical parameters                 | QROR-C                   | QROR-S |
|------------------------------------|--------------------------|--------|
| Wavelength [nm]                    | 1280...1620              |        |
| Optical input return loss [dB]     | >45                      |        |
| Input optical power [dBm]          | -16...+3                 |        |
| Equivalent input noise [pA/√Hz]    | 7                        |        |
| Number of optical receivers        | 4                        |        |
| Optical connector type             | SC/APC, FC/APC, EURO2000 |        |
| RF parameters                      |                          |        |
| Frequency range [MHz]              | 5...200                  |        |
| Impedance [Ω]                      | 75                       |        |
| Return loss [dB]                   | >16                      |        |
| Output level control               | OLC                      |        |
| RF output level setup range [dBmV] | 30...45 <sup>(1)</sup>   |        |
| AGC deviation [dB]                 | ±1 <sup>(2)</sup>        |        |
| Flatness [dB]                      | ±0.5                     |        |
| Slope [dB]                         | ±1                       |        |
| RF testpoint [dB]                  | 20±0.5                   |        |
| CTB [dBc]                          | >63 <sup>(3)</sup>       |        |
| CSO [dBc]                          | >63 <sup>(3)</sup>       |        |
| Isolation (adjacent channel) [dB]  | >65                      |        |
| Communication parameters           |                          |        |
| Internal communication             | RS485                    |        |
| MAC (SCTE 25-2 HMS004)             | no                       | yes    |
| SNMP v1                            | no                       | yes    |

Specifications are subject to change without notice!

**General parameters**

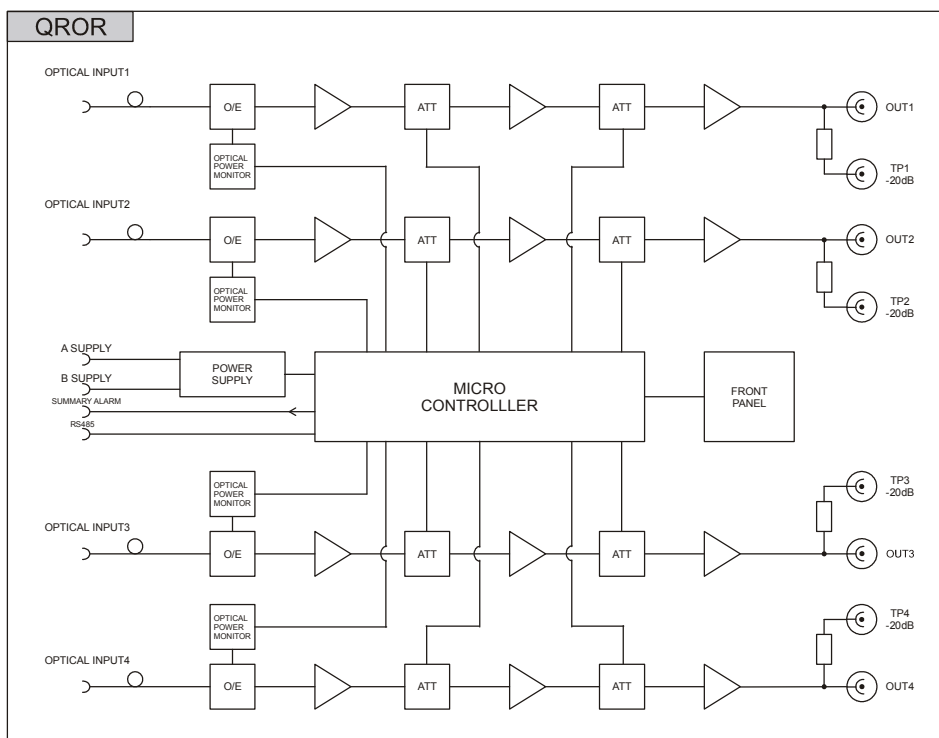
|                            |            |
|----------------------------|------------|
| Current consumption [mA]   | 450        |
| Power supply voltage [VDC] | 24         |
| Power consumption [W]      | 11         |
| Temperature range[°C]      | 0...+50    |
| Dimensions [mm]            | 230x130x35 |
| Weight [kg]                | 0.7        |

(1) 10% OMI can be adjusted in 0.5dB steps

(2) The adjusted output level can be changed maximum  $\pm 1$ dB by the influence of the changing of temperature (0...50°C) and the input optical power, if the input power exceeds the nominal maximum rate.

(3) Measured with 2 optical signals 40% OMI, 0.5mW power per transmitter, RF output level 46dBmV/carrier

**BLOCK DIAGRAM**



**ORDERING INFORMATION**

Q R O R - X X - X

| Type of optical connection |                           |
|----------------------------|---------------------------|
| SA                         | SC/APC (Recommended type) |
| FA                         | FC/APC                    |
| EU                         | EURO2000                  |

| Communication standard |                   |
|------------------------|-------------------|
| C                      | Comtech (Default) |
| S                      | SNMP standard     |

Specifications are subject to change without notice!