

SFOR1000 FORWARD PATH OPTICAL RECEIVER



- Frequency range up to 1GHz
- Connection to the Monitoring System
- RF testpoint on the face
- Redundant RF input for a secondary receiver
- Display and knobs on the face
- OLC control to the constant output level
- SNMP compatible

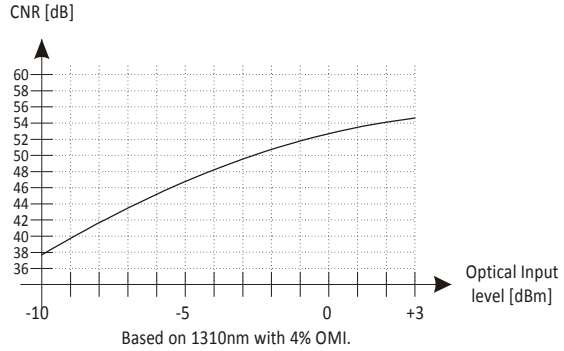
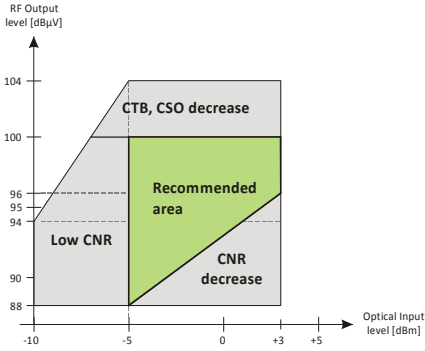
TECHNICAL SPECIFICATIONS

Optical parameters	SFOR1000-C	SFOR1000-S
Wavelength [nm]	1280...1620	
Input optical power [dBm]	-10...+3 ⁽²⁾	
Optical input return loss [dB]	> 45	
Equivalent input noise current [pA/√Hz]	7	
Optical connector	SC/APC, EURO-2000, FC/APC	
RF parameters		
Frequency range [MHz]	47 ... 1000	
Impedance [Ω]	75	
Return loss [dB]	> 16	
Output level control	OLC	
Output level setup range [dBmV]	28...44 ^(1,2)	
AGC deviation [dB]	±1	
Flatness [dB]	±0,5	
Slope [dB]	±0,5	
RF testpoint [dB]	-20±0,5	
CTB [dBc]	> 72 ⁽³⁾	
CSO [dBc]	> 68 ⁽³⁾	
Communication parameters		
Internal communication	RS485	
MAC (SCTE 25-2 HMS004)	no	yes
SNMP v1	no	yes
General parameters		
Current consumption [mA]	350	
Power supply voltage [V]	24	
Power consumption [W]	8,5	
Temperature range [°C]	0...50	
Dimensions [mm]	230x130x35	
Weight [kg]	0,6	

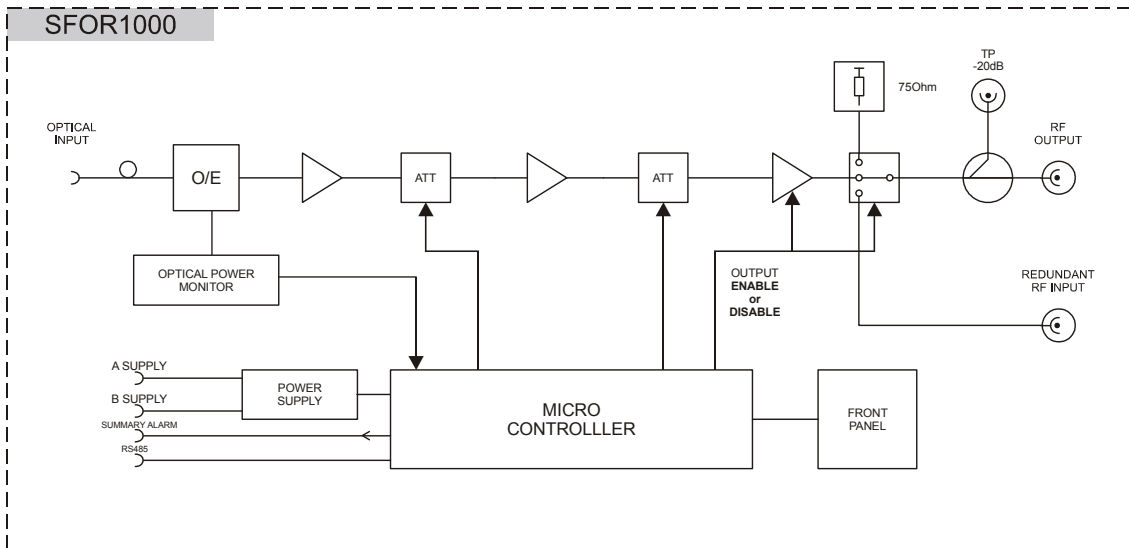
Specifications are subject to change without notice!

- (1) 4% OMI can be adjusted in 0,5dB steps
- (2) Recommended optical input and RF output power are indicated on the diagrams
- (3) Output level <40dBmV @ 4% OMI

PERFORMANCE DIAGRAMS



BLOCK DIAGRAM



ORDERING INFORMATION

S F O R 1 0 0 0 - X X - X

Optical connector	
SA	SC/APC (Recommended type)
FA	FC/APC
EU	EURO-2000

Communication standard	
C	Comtech (Default)
S	SNMP standard

Specifications are subject to change without notice!