

**MB1000 MODULAR BRIDGER AMPLIFIER**



- Outdoor aluminium casting case
- Pull-out internal casting tray electronics
- Two active outputs (OUT2 is splittable)
- Internal return path hybrid module
- 1GHz GaAs or GaN Power-doubler hybrids
- Remote powered switching power supply
- Pilot control option
- Return path noise switch-off option
- Status monitoring option

TECHNICAL SPECIFICATIONS

**RF parameters**

	<b>MB10xxC-xx</b>	<b>MB10xxD-xx</b>
	GaAs PD hybrid	GaN PD hybrid
Amplifier-module		
Number of active outputs		2 bridgers
Forward path bandwidth [MHz]	47-1000 or 85-1000 or 105-1000	
Return path bandwidth [MHz]		5-30 or 5-65 or 5-85
Diplex filter type [MHz]	30/47, 65/85, 85/105 <sup>(1)</sup>	
Forward path gain [dB]		38, 42, 48 <sup>(1)</sup>
Flatness [dB]		±0.5
CTB [dB]	-62 <sup>(3)</sup>	-68 <sup>(4)</sup>
XMOD [dB]	-59 <sup>(3)</sup>	-64 <sup>(4)</sup>
CSO [dB]	-64 <sup>(3)</sup>	-70 <sup>(4)</sup>
CIN [dB]	-	61 <sup>(4)</sup>
Manual level setup (2dB steps) [dB]		Plug-in 0-20
Manual TILT setup (2dB steps) [dB]		Plug-in 0-22
Breakpoint frequency of TILT [MHz]		302, 606, 750, 862, 1000
ASG insertion loss (20°C) [dB]		6.5
ASG control range [dB]		±4
ASG flatness [dB]		±0.5
Noise figure [dB]		7
Testpoints' attenuation (inputs, outputs) [dB]		-30±1
Return loss (40MHz -1.5dB/octave) [dB]		18
Return path gain [dB]		20, 25
CTB in return path [dB]		-66 <sup>(2)</sup>
CSO in return path [dB]		-70 <sup>(2)</sup>
Return path TILT (plug-in) [dB]		2, 4, 6, 8, 10
Breakpoint frequency of TILT [MHz]		30, 65, 85
Connecting impedance [Ω]		75

*Specifications are subject to change without notice!*

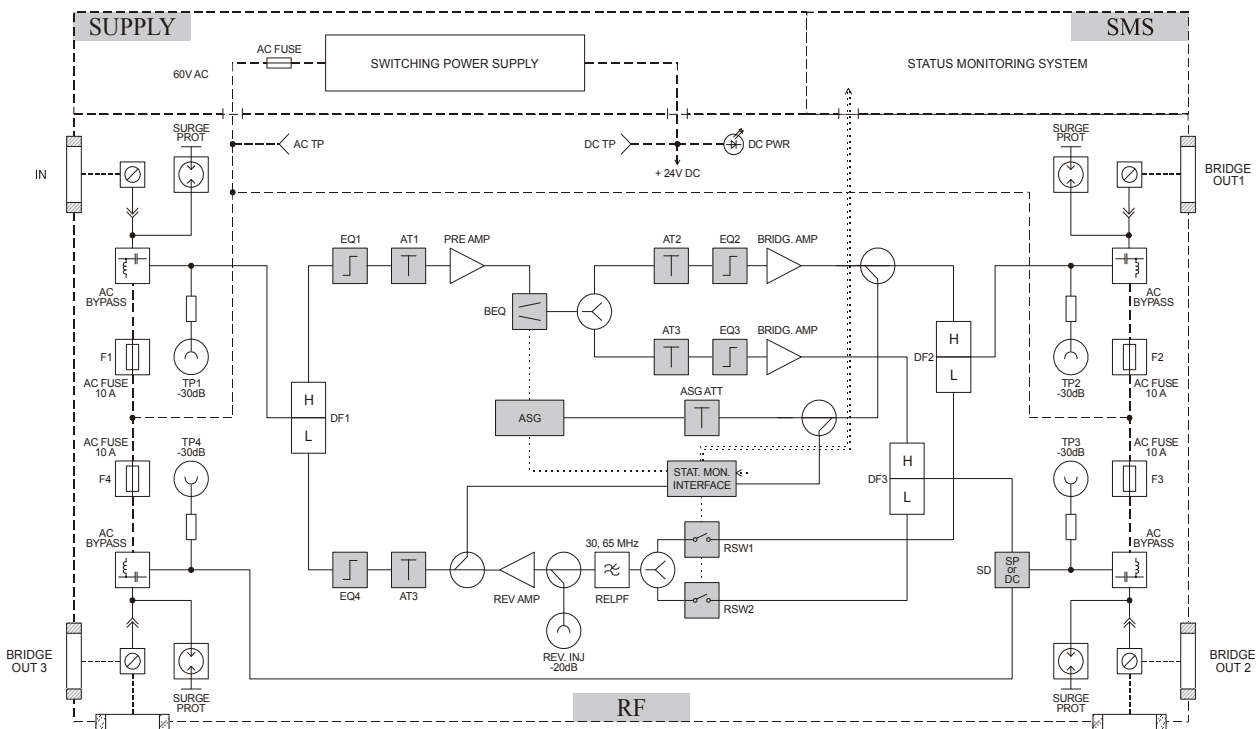
Bridger output splitter, directional coupler [dB]	Plug-in 4, 8, 12, 16
Screening factor [dB]	80

**General parameters**

Maximum power consumption [W]	38
Power supply voltage [VAC]	~ 30-65; n 35-90
Class of electric shock protection	III.
Maximum current feed-through [A]	10
Hum modulation [dB]	70
Degree of protection	IP 65
Temperature range [°C]	-40...+60
Connector type	5/8"
Dimensions [mm]	275x172x122
Weight [kg]	4.1

- (1) The value of gain and the diplex filters can be found in the typechart
- (2) Measured with 7 channels load in case of 110dBμV output level
- (3) 132 ch.flat, Vout:44dBmV
- (4) 79 ch. 7dB tilted, Vout:50dBmV @ 550MHz, 75digital ch. -6dB offset

**BLOCK DIAGRAM**



Specifications are subject to change without notice!

ORDERING INFORMATION

**M B 1 0** X X X - X X - X X

Gain	
38	38dB gain
42	42dB gain
48	48dB gain

Return path gain	
20	20dB
25	25dB

Type of the duplex filter	
30	Internal 30/47MHz duplex filter
65	Internal 65/85MHz duplex filter
85	Internal 85/105MHz duplex filter

Amplifier-module type	
C	GaAs
D	GaN

**Options**

ASG option  
Monitoring option  
Wall mount kit

**Required modules**

1pc ASG535-C, 1pc BEQxxx-A, 1pc ATxx  
1pc NMT-F, 2pcs RSW2-A or 2pcs RSW2-H20  
1pc WMK-1 (double)

*Specifications are subject to change without notice!*